

1106151

SPIN 30 PLUS 230V 50HZ

3235602_1106151_R08W - R08W (1/1/2025)



Access Platform Division

Via San Francesco d'Assisi, 8 - 46020 Pegognaga (Mantova) - ITALY Tel. +39 0376
554011 - Fax +39 0376 559855

www.imergroup.com

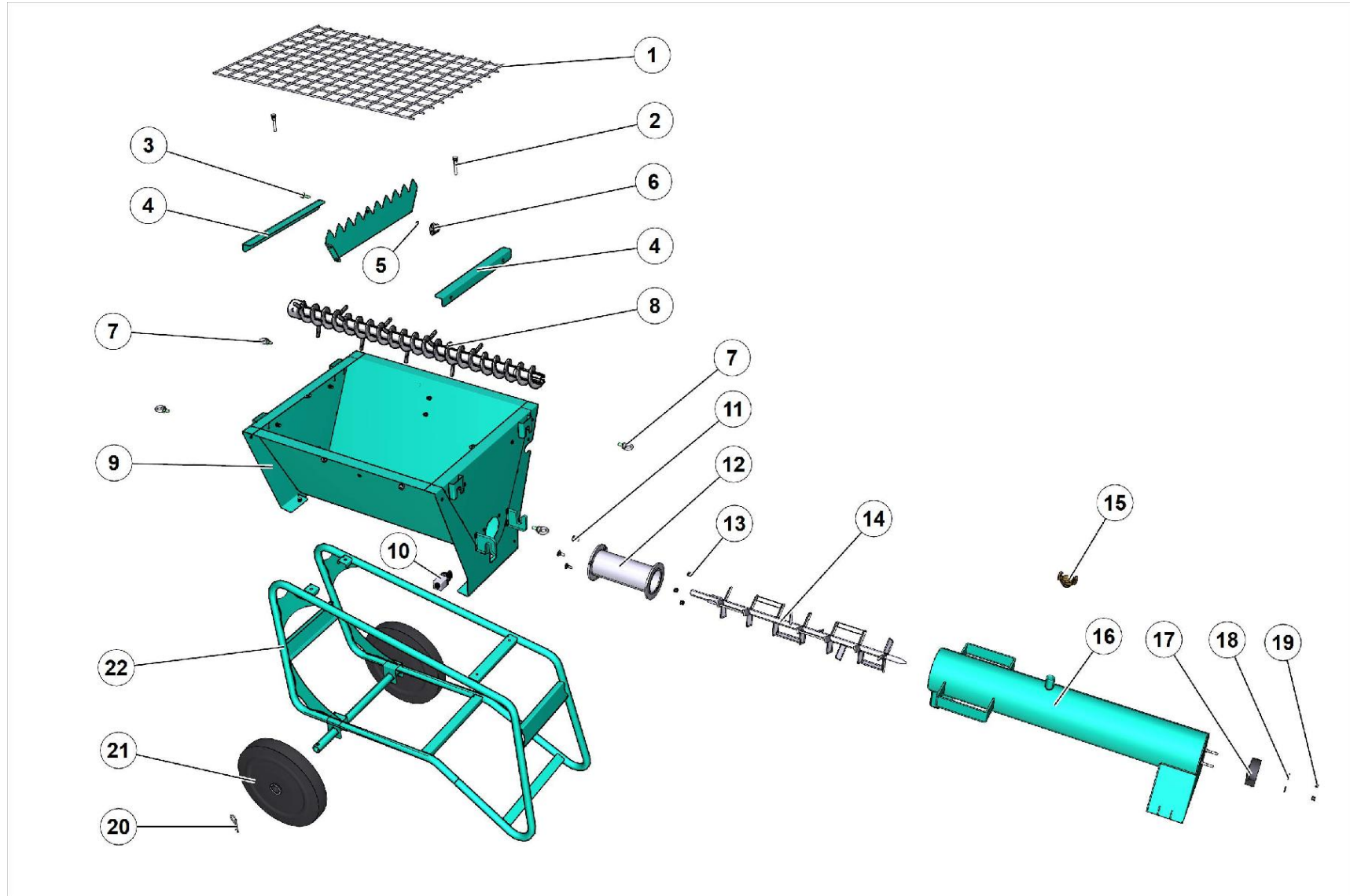
Building Equipment Division

Via della Meccanica, 39 (Zona Industriale Sentino) - 53040 Rapolano Terme
(Siena) - ITALY - Tel. +39 0577 97341 - Fax +39 0577 704077

www.imergroup.com

www.imerglobalcustomercare.com

FRAME AND MIXING CHAMBER



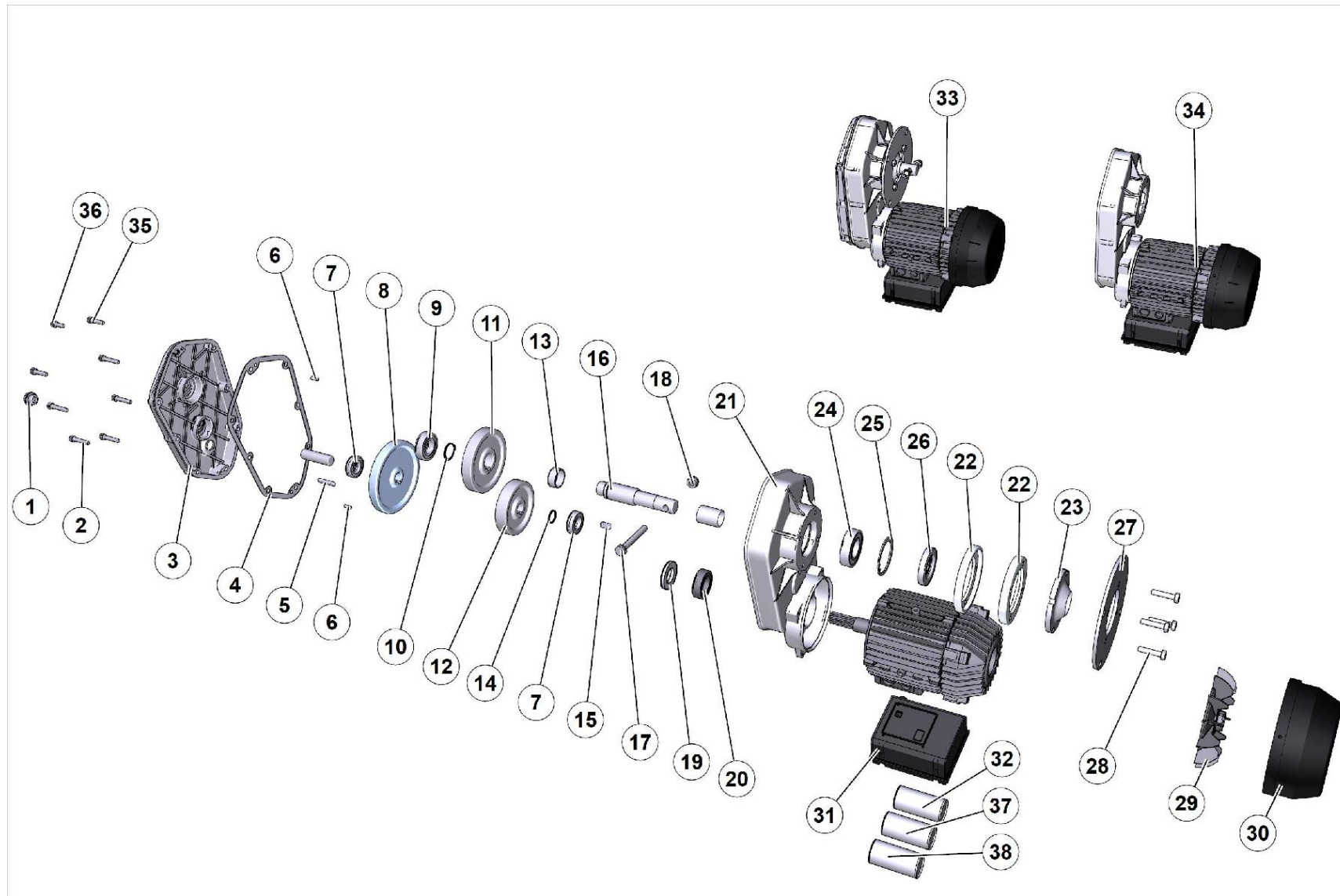


N.	CODE	DESCRIPTION	UM	QTY
1	3235604	GRID	PZ	1.0
2	2222176	SCREW	PZ	2.0
3	3230236	SCREW TE 8.8 FLANGED KNURLED 8X25 Z	PZ	1.0
4	3235666	SUPPORT	PZ	2.0
5	3230084	ELASTIC FIXATOR FOR TREES D.8	PZ	1.0
6	3236962	SPIN GRID LOCK	PZ	1.0
7	3209356	EYE-BOLT/MORTAR PUMP	PZ	4.0
8	3235603	SPIN 30 PLUS GALVANIZED SCREW	PZ	1.0
9	3235605	HOPPER		1.0
10	3214791	Limit switch	PZ	1.0
11	3223987	SCREW TTCQ 5732-65 M8X20 Z	PZ	3.0
12	3235601	BUSHING	PZ	1.0
13	2223923	LOCK NUT	PZ	3.0
14	3235606	PAINTED SPIN 30 PLUS MIXER	PZ	1.0
15	3224203	RAPID FIXATION/SCREW PUMP	PZ	1.0
16	3235639	NOSE PAINTED SPIN 30 PLUS	PZ	1.0
17	3226559	SUPPORT	PZ	1.0
18	2224531	WASHER	PZ	2.0
19	2223924	NUT	PZ	2.0
20	2226700	SPLIT PIN	PZ	2.0
21	2211200	WHEELS	PZ	2.0



N.	CODE	DESCRIPTION	UM	QTY
22	3235638	PAINTED FRAME		1.0

GEAR MOTOR



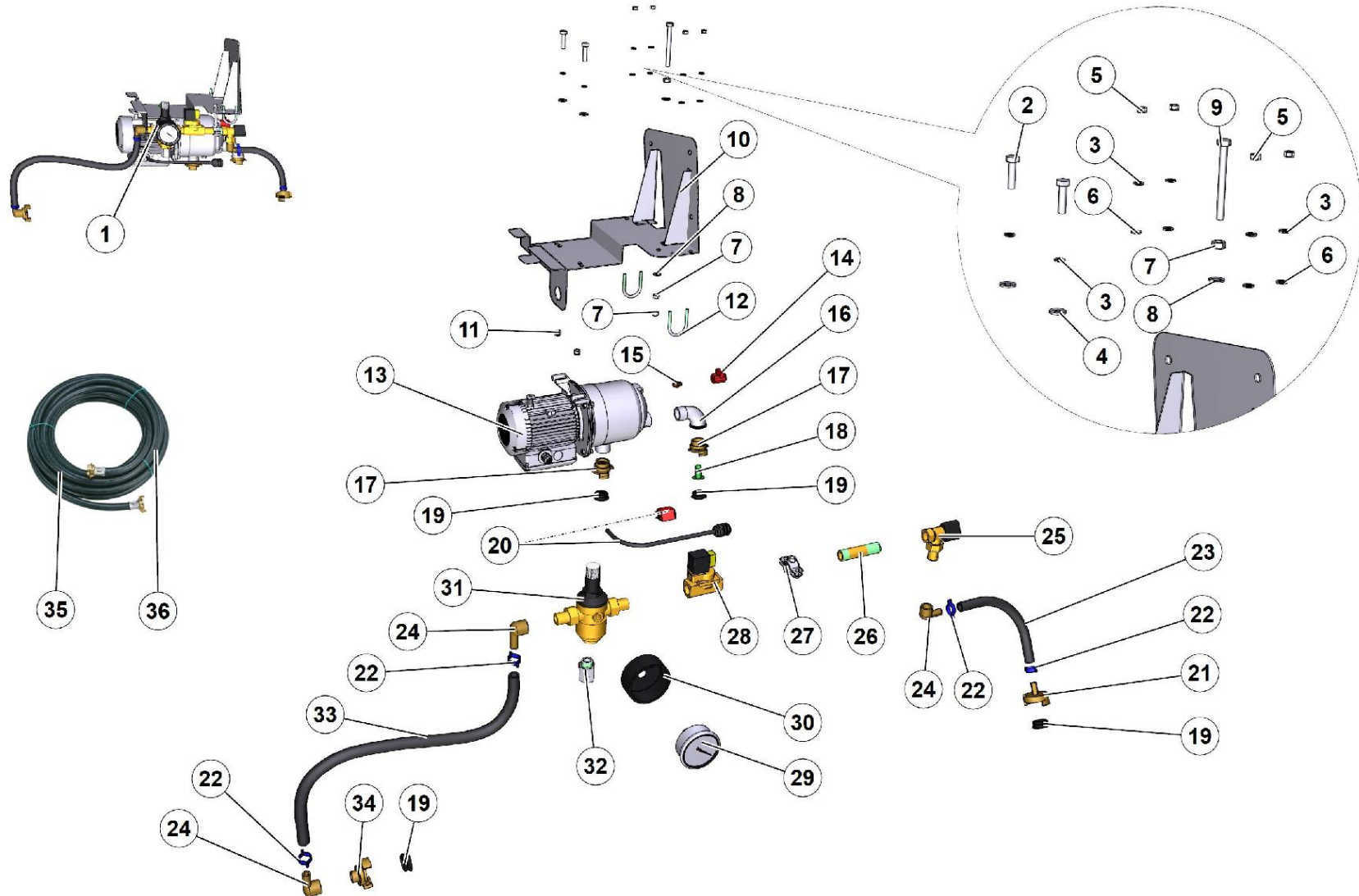


N.	CODE	DESCRIPTION	UM	QTY
1	2235420	level	PZ	1.0
2	2222514	SCREW	PZ	1.0
3	3225254	GEARMOTOR FLANGE	PZ	1.0
4	2216331	GASKET	PZ	1.0
5	2229327	KEY	PZ	1.0
6	2228820	Gudgeon pin	PZ	1.0
7	2204440	Bearing	PZ	1.0
8	3234947	GEARING		1.0
9	3227079	BEARING 6205 - CM	PZ	1.0
10	2227240	STOP RING	PZ	1.0
11	3226632	GEARING	PZ	1.0
12	3226633	GEARING	PZ	1.0
13	3226630	SPACER	PZ	1.0
14	2237301	SPACER	PZ	1.0
15	2229450	KEY	PZ	1.0
16	3226623	SHAFT	PZ	1.0
17	2222145	SCREW	PZ	1.0
18	2223920	SELF-LOCKING NUT	PZ	1.0
19	2207355	STOP RING	PZ	1.0
20	2204391	Bearing	PZ	1.0
21	3226627	SHELL	PZ	1.0



N.	CODE	DESCRIPTION	UM	QTY
22	3227053	FLANGE		1.0
23	3226558	GASKET	PZ	1.0
24	3227075	BEARING 6206 - CM		1.0
25	2227660	STOP RING	PZ	1.0
26	2207490	STOP RING	PZ	1.0
27	3226555	GEARMOTOR FLANGE	PZ	1.0
28	2222004	SCREW/SAW	PZ	1.0
29	3234265	FAN MOTOR MEC 90 HOLE ?24	PZ	1.0
30	3296040	FAN COVER	PZ	1.0
31	3230847	ELECTRIC BOX + COVER MOTOR SPIN 15	PZ	1.0
32	3236042	RELE' START 230V 50HZ DEB300A0000A0ED	PZ	1.0
33	3235644	GEARMOTOR 230V-50HZ SPIN 30 PLUS	PZ	1.0
34	3235660	MOTOR	PZ	1.0
35	2222513	SCREW	PZ	1.0
36	2222509	SCREW	PZ	1.0
37	3236043	CAPACITOR MF.65 V450D55X90 DOUBLE FASTON	PZ	1.0
38	3230620	CAPACITOR MF.156 330V 52X110+RESIST.	PZ	1.0

WATER PLANT



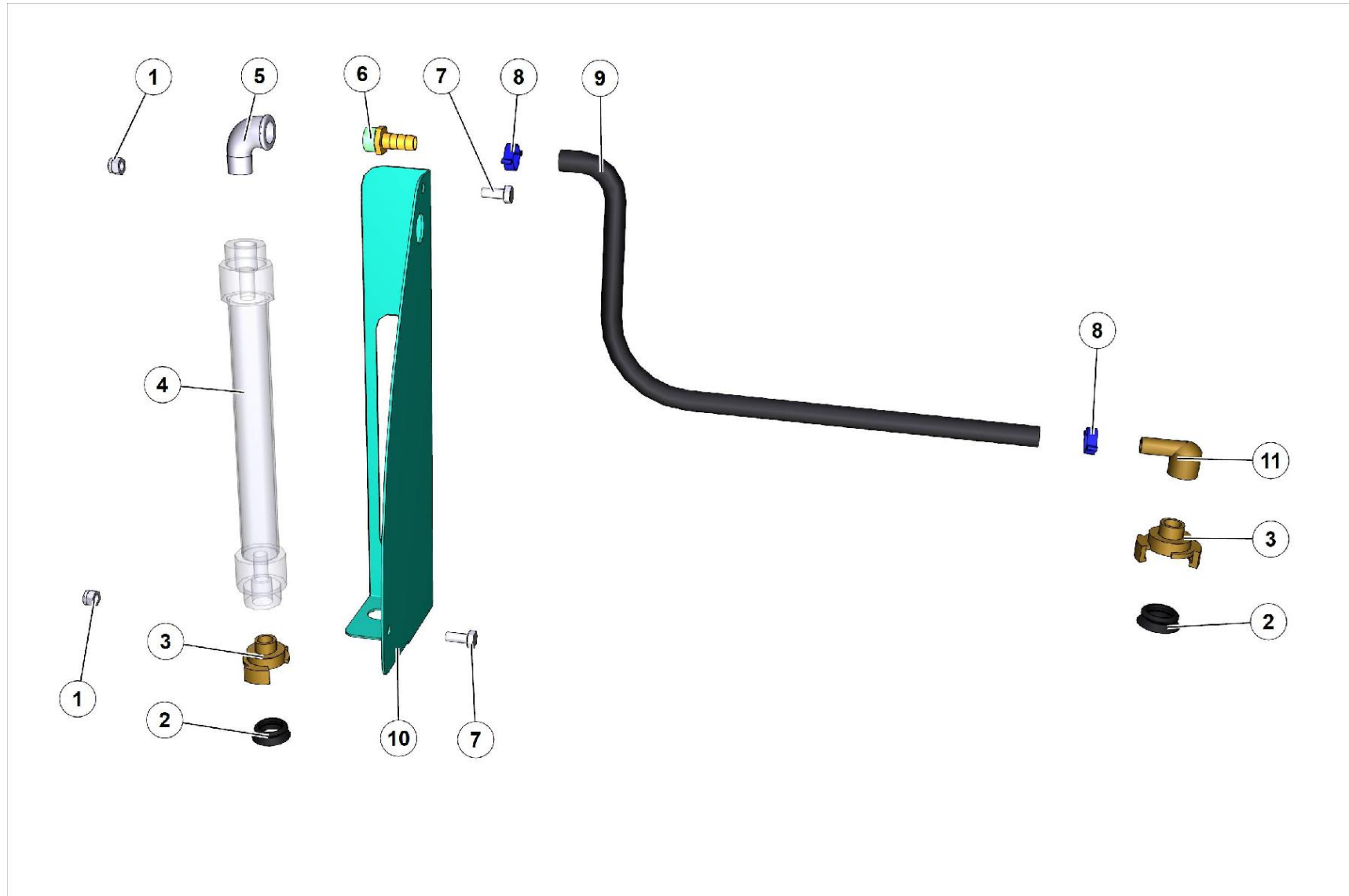


N.	CODE	DESCRIPTION	UM	QTY
1	3235694	WATER SYSTEM SPIN 30 PLUS 230V/50Hz		1.0
2	2222006	SCREW	PZ	1.0
3	2224055	ROLLER	PZ	3.0
4	2224531	WASHER	PZ	1.0
5	2223280	NUT	PZ	2.0
6	2224530	ROLLER/MN	PZ	2.0
7	2223570	NUT	PZ	3.0
8	2224140	ROLLER 6593	PZ	2.0
9	2222110	SCREW	PZ	1.0
10	3235617	PLATE		1.0
11	2223923	LOCK NUT	PZ	1.0
12	3227431	GANTRY	PZ	1.0
13	3227460	PUMP	PZ	1.0
14	3223620	VALVE	PZ	1.0
15	3223959	NIPPLE	PZ	1.0
16	3223882	ELBOW FITTING	PZ	1.0
17	3223722	MALE QUICK COUPLING/MORTAR PUMP	PZ	2.0
18	3223639	WATER FILTER/MORTAR PUMP	PZ	1.0
19	3223697	GASKET/MORTAR PUMP	PZ	4.0
20	3227388	KIT		1.0
21	3223615	RAPID CONNECTION/SCREW PUMP	PZ	1.0



N.	CODE	DESCRIPTION	UM	QTY
22	3223638	RING CLIP	PZ	4.0
23	3224608	HOSE	M	1.0
24	3224580	HOSE CONNECTOR	PZ	3.0
25	3223627	VALVE	PZ	1.0
26	3223957	BRANCH	PZ	1.0
27	3226677	COLLAR	PZ	1.0
28	3228388	SOLENOID VALVE	PZ	1.0
29	3223625	PRESSURE GAUGE/MORTAR PUMP	PZ	1.0
30	3224176	RUBBER COVER	PZ	1.0
31	3223629	PRESSURE REDUCTOR	PZ	1.0
32	3223622	VALVE	PZ	1.0
33	3224608	HOSE	M	1.0
34	3224203	RAPID FIXATION/SCREW PUMP	PZ	1.0
35	3223706	WATER HOSE	PZ	1.0
36	3227714	TUBE	PZ	1.0

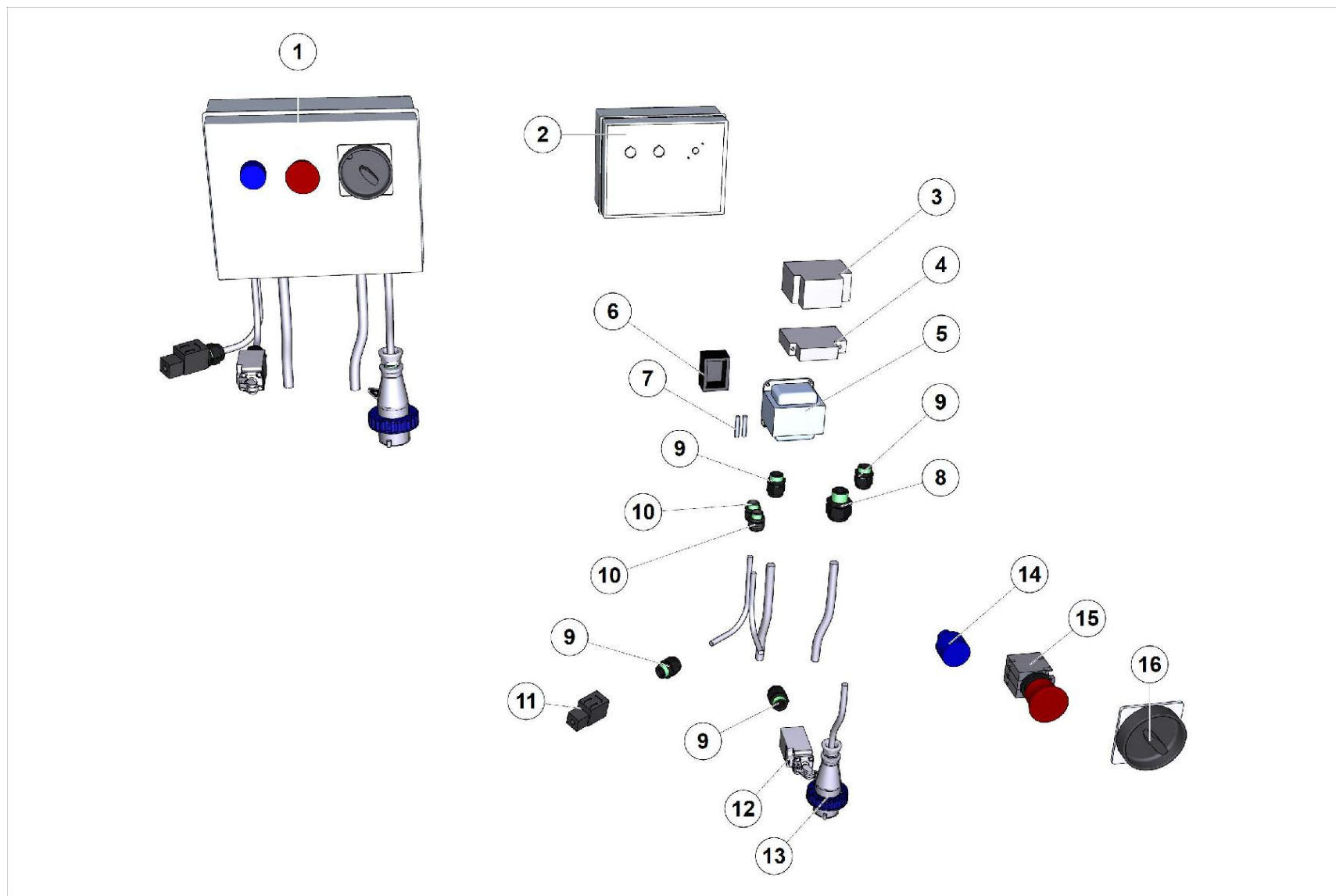
FLOW METER





N.	CODE	DESCRIPTION	UM	QTY
1	2223923	LOCK NUT	PZ	2.0
2	3223697	GASKET/MORTAR PUMP	PZ	2.0
3	3224203	RAPID FIXATION/SCREW PUMP	PZ	2.0
4	3223633	FLOW METER	PZ	1.0
5	3224351	ELBOW FITTING	PZ	1.0
6	3223613	HOSE CLAMP/SCREW PUMP	PZ	1.0
7	2222060	SCREW	PZ	2.0
8	3223638	RING CLIP	PZ	2.0
9	3224579	WATER HOSE	PZ	1.0
10	3235616	PLATE		1.0
11	3224580	HOSE CONNECTOR	PZ	1.0

ELECTRIC PANEL





N.	CODE	DESCRIPTION	UM	QTY
1	3235663	ELECTRICAL PANEL	PZ	1.0
2	3235705	ELECTRICAL BOX + COVER SPIN30 PLUS 230V/	PZ	1.0
3	3225223	THERMAL SWITCH	PZ	1.0
4	3226210	COIL/SCREW PUMP	PZ	1.0
5	3200185	Transformer	PZ	1.0
6	3227742	PRIMARY FUSE HOLDER 6.3X32 1A	PZ	1.0
7	3227783	FUSE 6.3X32 1A 500V	PZ	2.0
8	3211826	CABLE CLAMP		1.0
9	3201216	CABLE CLAMP	PZ	4.0
10	3201217	CABLE CLAMP	PZ	2.0
11	3226204	CONNECTOR	PZ	1.0
12	3214791	Limit switch	PZ	1.0
13	3203504	PIN	PZ	1.0
14	3225241	COMPLETE BLUE LED+LAMP 24V	PZ	1.0
15	3225237	EMERGENCY PUSHBUTTON	PZ	1.0
16	3226345	HANDLE/SCREW PUMP	PZ	1.0



Access Platform Division

Via San Francesco d'Assisi, 8 - 46020 Pegognaga (Mantova) - ITALY Tel. +39 0376
554011 - Fax +39 0376 559855

www.imergroup.com

Building Equipment Division

Via della Meccanica, 39 (Zona Industriale Sentino) - 53040 Rapolano Terme
(Siena) - ITALY - Tel. +39 0577 97341 - Fax +39 0577 704077

www.imergroup.com